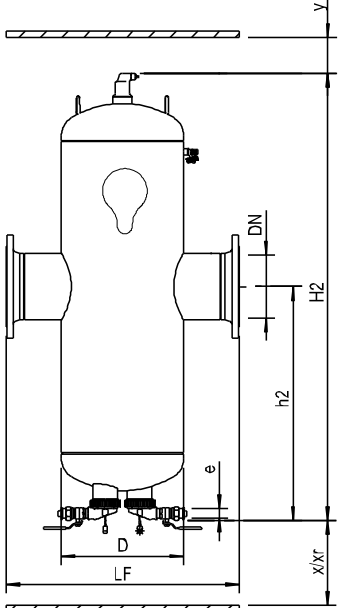


Spirovent® Combi
Air Eliminator and Dirt Separator with Magnet

Job Name:
Engineer:
Contractor:
Representative:

Tag	Model	Flow	Size	Location



Specifications:

Shell	Steel
Vent Head	Brass
Float	Non-Ferrous
Seal	Viton
O Ring	Viton
Skim Valve	Brass
Coalescing Medium	Copper
Magnets	Neodymium
Ball Valve	Brass
Max. Working Pressure	150 psig
Max. Operating Temperature	270°F

Notes:

DN – Pipe Size	8"	10"	12"
D (inches)	16.0	20.0	24.0
H2 (inches)	55.8	71.5	84.7
h2 (inches)	26.2	34.1	40.2
LF (inches)	33.6	37.5	42.5
e (inches)	1	1	1
x (inches)	3	3	3
y (inches)	3	3	3
Weight Flg (lbs)	456	738	1270
Rec. Flow (gpm)	940	1470	2090
Model VDT__FAM	800	1000	1200

(Dimensions for reference only)

Flanged ASME Section VIII, Division 1 Stamped and Registered

© 2021 Spirotherm, Inc., 462 Camden Dr, Bloomingdale, IL 60108