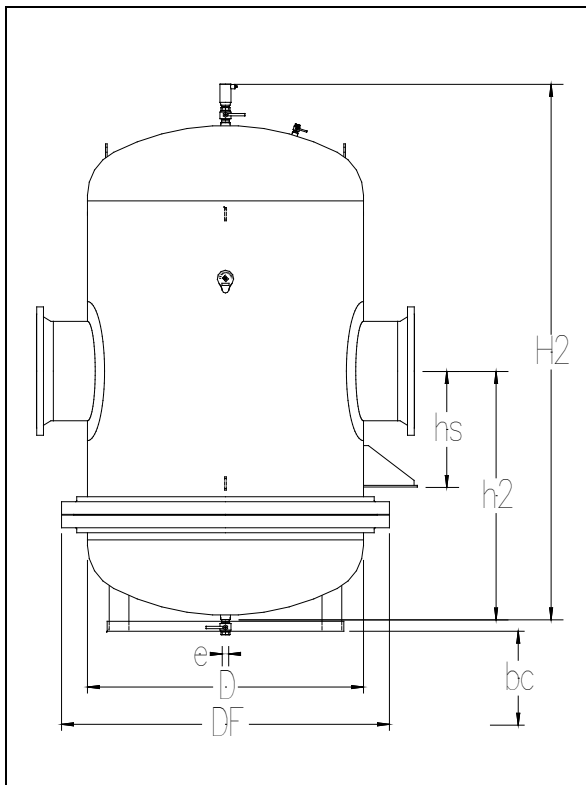


Spirovent® Drain 20", 24" Air Eliminator and Dirt Separator

Job Name:
Engineer:
Contractor:
Representative:

Tag	Model	Flow	Size	Location



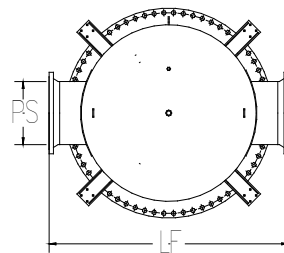
Specifications:

Shell	Steel
Vent Head	Brass
Float	Non-Ferrous
Seal	Viton
O Ring	Viton
Skim Valve	Brass
Coalescing Medium	Copper
Ball Valve	Brass
Max. Working Pressure	150 psig
Max. Operating Temperature	270°F

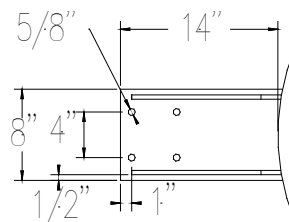
Notes:

Removable lower head to facilitate cleaning if required.

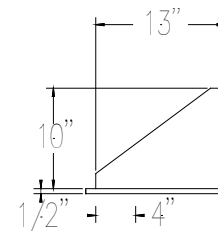
(bc: Minimum bundle removal clearance)



Pipe Size	20"	24"
D (inches)	40	48
H2 (inches)	134	158
h2 (inches)	61	73
LF (inches)	62	72
DF (inches)	51	60
hs (inches)	26	26
e (inches)	2	2
bc (inches)	88	102
Weight (lbs)	4690	7240
Rec. Flow (gpm)	5200	7500
Model VDN----FA	2000	2400



Bracket Detail



Bracket Detail

(Dimensions for reference only)

Fabricated and stamped in accordance with ASME, Section VIII, Division 1 for unfired pressure vessels.