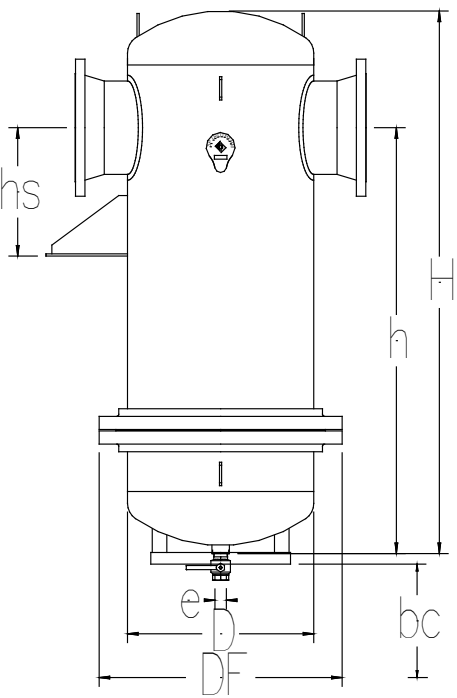


Spirotrap® Drain 30", 36" High Velocity Dirt Separator

Job Name:
Engineer:
Contractor:
Representative:

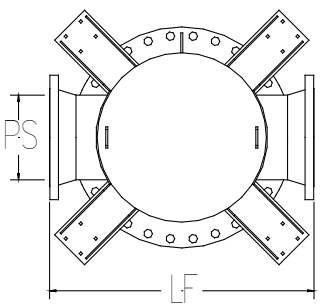
Tag	Model	Flow	Size	Location



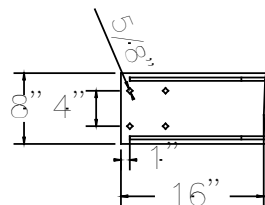
Specifications:

Shell	Steel
Coalescing Medium	Copper
Ball Valve	Brass
Max. Working Pressure	150 psig
Max. Operating Temperature	270°F

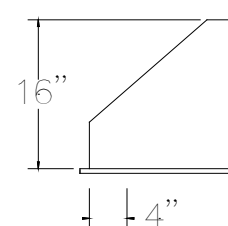
Notes:
Removable lower head to facilitate cleaning if required.
(bc: Minimum bundle removal clearance)



PS - Pipe Size	30"	36"
D (inches)	60	72
H (inches)	174	208
h (inches)	137	163
LF (inches)	85.2	102.8
DF (inches)	73	87
hs (inches)	30	36
e (inches)	2	2
bc (inches)	133	157
Weight (lbs)	11,840	18,540
Max Flow (gpm)	20,200	29,600
Model		
THN----FA	3000	3600



Bracket Detail



Bracket Detail

(Dimensions for reference only)

Fabricated and stamped in accordance with ASME, Section VIII, Division 1 for unfired pressure vessels.