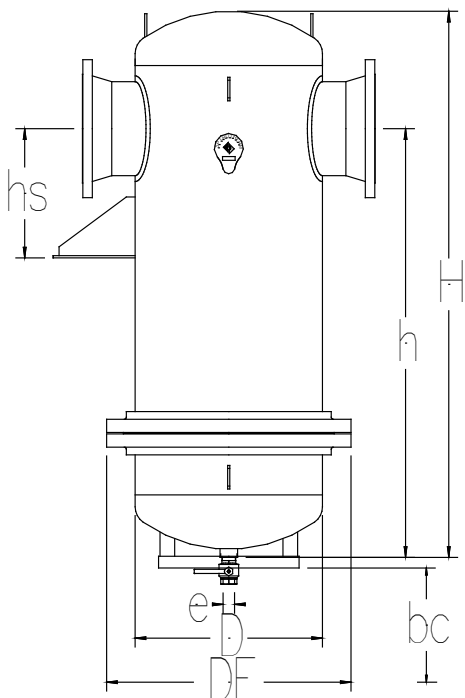


### Spirotrap® Drain 20", 24" High Velocity Dirt Separator

Job Name:
Engineer:
Contractor:
Representative:

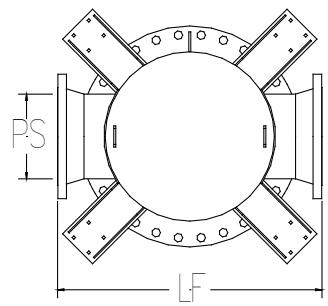
Tag	Model	Flow	Size	Location



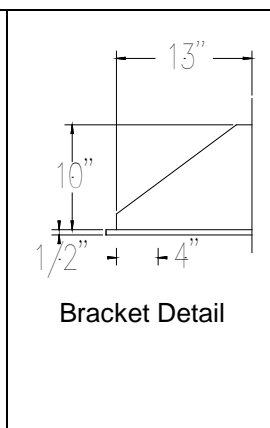
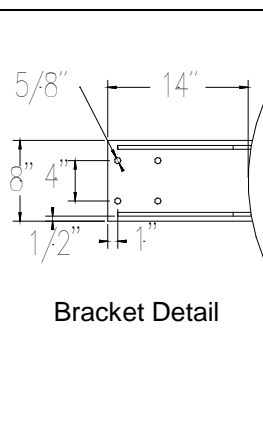
**Specifications:**

Shell	Steel
Coalescing Medium	Copper
Ball Valve	Brass
Max. Working Pressure	150 psig
Max. Operating Temperature	270°F

**Notes:**  
Removable lower head to facilitate cleaning if required.  
(bc: Minimum bundle removal clearance)



PS - Pipe Size	20"	24"
D (inches)	40	48
H (inches)	116	139
h (inches)	91	109
LF (inches)	62	72
DF (inches)	51	60
hs (inches)	26	26
e (inches)	2	2
bc (inches)	88	102
Weight (lbs)	4,550	7,010
Max Flow (gpm)	8,650	12,500
Model		
THN----FA	2000	2400



(Dimensions for reference only)

Fabricated and stamped in accordance with ASME, Section VIII, Division 1 for unfired pressure vessels.