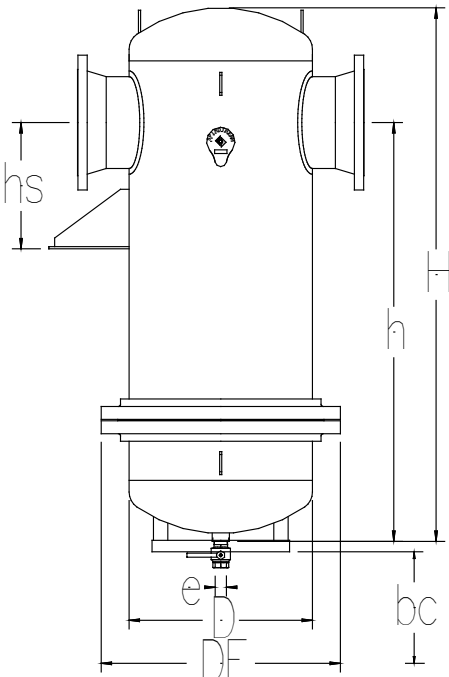


Spirotrap® Drain
14", 16", 18" High Velocity Dirt Separator

Job Name:
Engineer:
Contractor:
Representative:

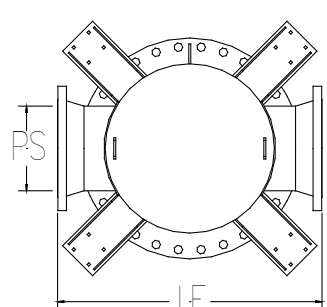
Tag	Model	Flow	Size	Location



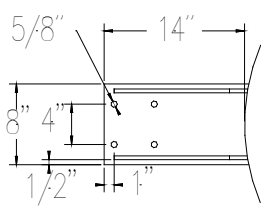
Specifications:

Shell	Steel
Coalescing Medium	Copper
Ball Valve	Brass
Max. Working Pressure	150 psig
Max. Operating Temperature	270°F

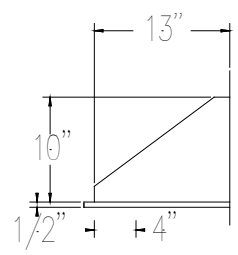
Notes:
Removable lower portion to facilitate cleaning if required.
(bc: Minimum bundle removal clearance)



PS - Pipe Size	14"	16"	18"
D (inches)	28	32	36
H (inches)	82	93	105
h (inches)	65	73	83
LF (inches)	45	50	56
DF (inches)	37	42	46
hs (inches)	20	22	22
e (inches)	2	2	2
bc (inches)	66	70	81
Dry Weight (lbs)	1,790	2,420	3,150
Volume (gallons)	200	300	420
Max Flow (gpm)	4,300	5,500	6,950
Model			
THN----FA	1400	1600	1800



Bracket Detail



Bracket Detail

(Dimensions for reference only)

Flanged. ASME Section VIII, Division 1 Stamped and Registered