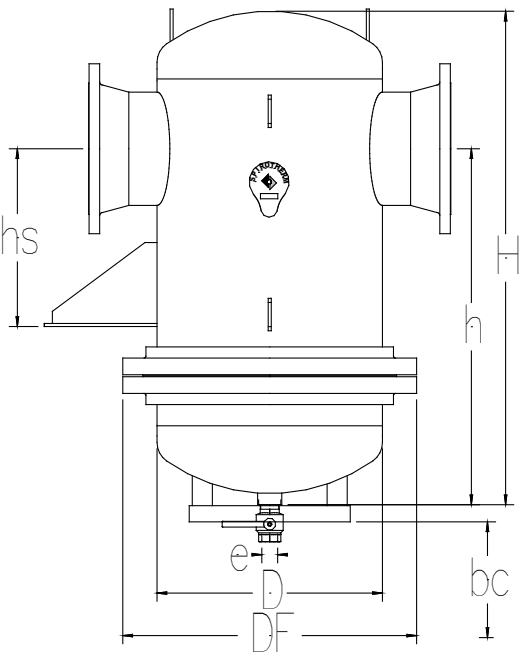


**Spirotrap® Drain
20", 24" Dirt Separator**

Job Name:
Engineer:
Contractor:
Representative:

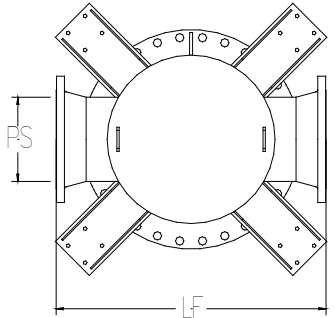
Tag	Model	Flow	Size	Location



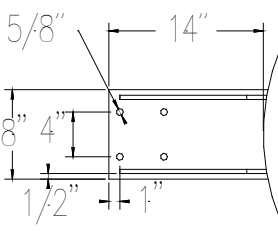
Specifications:

Shell	Steel
Coalescing Medium	Copper
Ball Valve	Brass
Max. Working Pressure	150 psig
Max. Operating Temperature	270°F

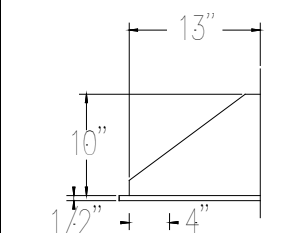
Notes:
Removable lower portion to facilitate cleaning if required.
(bc: Minimum bundle removal clearance)



PS - Pipe Size		20"	24"
D	(inches)	40	48
H	(inches)	86	103
h	(inches)	61	73
LF	(inches)	61.4	72
DF	(inches)	51	60
hs	(inches)	26	26
e	(inches)	2	2
bc	(inches)	59	71
Dry Weight	(lbs)	3,710	5,660
Volume	(gallons)	420	725
Rec Flow	(gpm)	5,200	7,500
Model			
	TDN----FA	2000	2400



Bracket Detail



Bracket Detail

(Dimensions for reference only)

Flanged. ASME Section VIII, Division 1 Stamped and Registered