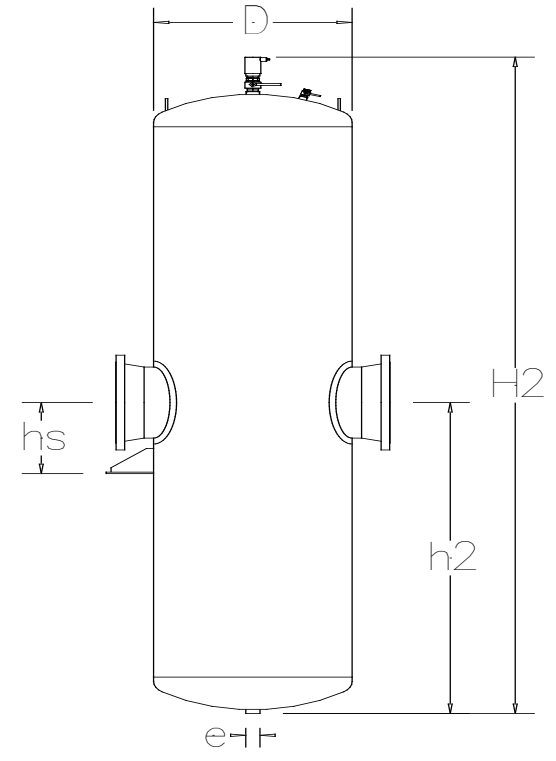


Spirovent® High Velocity Dirt 20", 24" Microbubble™ Eliminator and Dirt Separator

Job Name:
Engineer:
Contractor:
Representative:

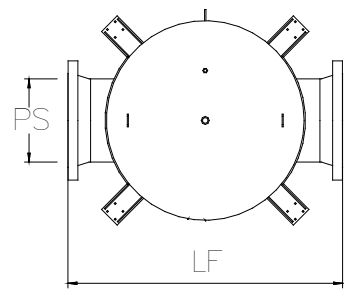
Tag	Model	Flow	Size	Location



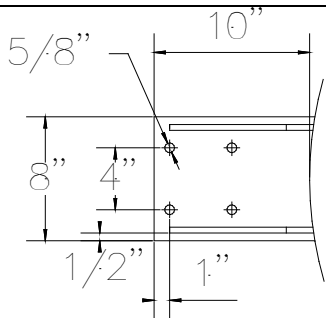
Specifications:

Shell	Steel
Vent Head	Brass
Float	Non-Ferrous
Seal	Viton
O Ring	Viton
Skim Valve	Brass
Coalescing Medium	Copper
Ball Valve	Brass
Max. Working Pressure	150 psig
Max. Operating Temperature	270°F

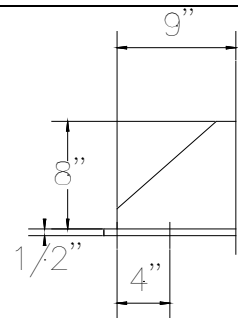
Fabricated and stamped in accordance with ASME, Section VIII, Division 1.



Pipe Size	20"	24"
D	48"	60"
H2	142"	156"
h2	65"	72"
LF	72"	84"
hs	26"	30"
E	2"	2"
Weight	4400	5900
Max. GPM	9400	13,500
Model		
VHT----FA	2000	2400



Support Bracket Detail



Support Bracket Detail