

### Spirovent® High Velocity Dirt 14", 16", 18" Microbubble™ Eliminator and Dirt Separator

Job Name:
Engineer:
Contractor:
Representative:

Tag	Model	Flow	Size	Location

The elevation drawing shows a vertical cylindrical vessel with a hemispherical top and a hemispherical bottom. The diameter is labeled 'D'. The total height is 'H2'. The height from the bottom to the center of the vessel is 'h2'. The height of the top section is 'hs'. A small inlet/outlet at the bottom is labeled 'e'.

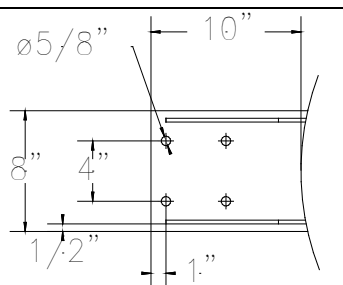
**Specifications:**

Shell	Steel
Vent Head	Brass
Float	Non-Ferrous
Seal	Viton
O Ring	Viton
Skim Valve	Brass
Coalescing Medium	Copper
Ball Valve	Brass
Max. Working Pressure	150 psig
Max. Operating Temperature	270°F

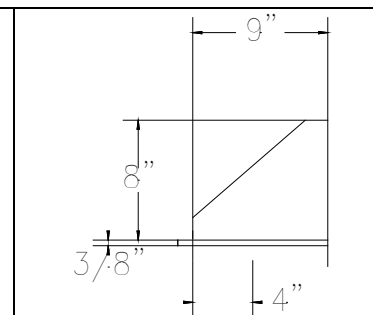
Fabricated and stamped in accordance with ASME, Section VIII, Division 1.

The top view shows a circular vessel with four support legs. The diameter is 'PS' and the distance between the legs is 'LF'.

Pipe Size	14"	16"	18"
D	28"	32"	36"
H2	140"	158"	176"
h2	64"	73"	82"
LF	45"	50"	56"
hs	20"	22"	22"
E	2"	2"	2"
Weight	1890	2610	3460
Max. GPM	4650	6050	7600
Model			
VHT----FA	1400	1600	1800



Support Bracket Detail



Support Bracket Detail