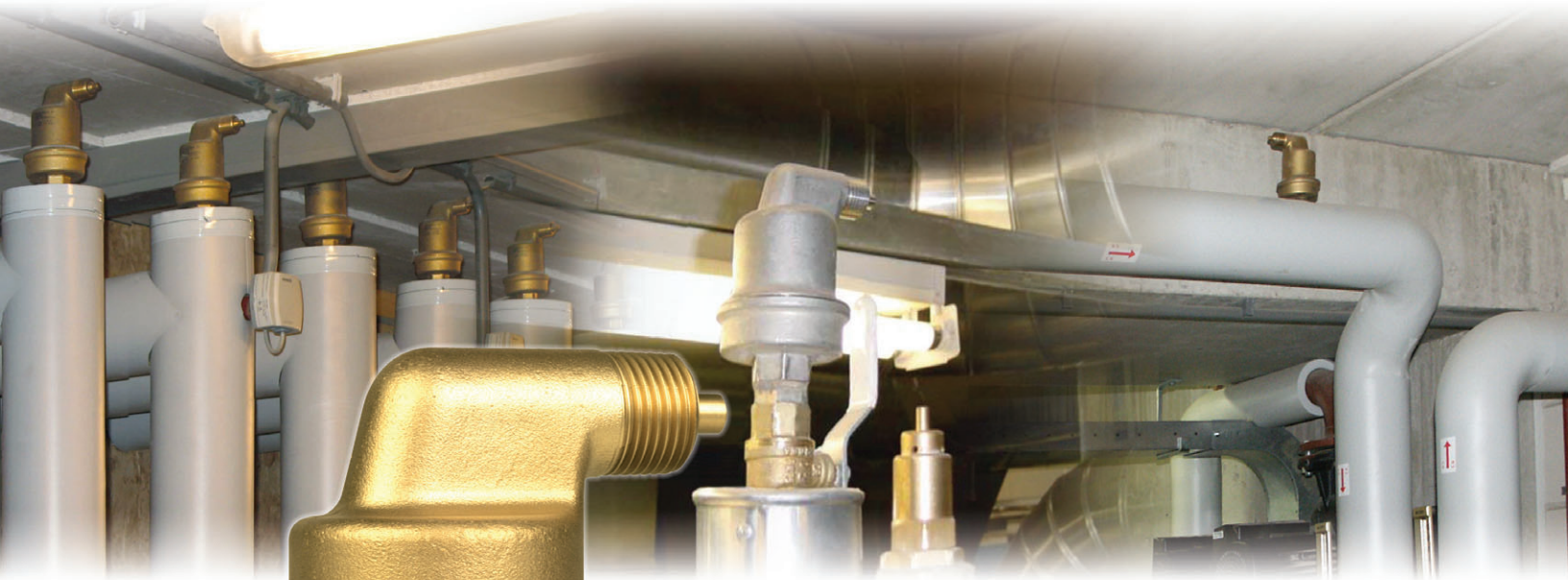


SPIROTOP®



**AUTOMATIC AIR VENT
FOR RELIABLE VENTING
OF FLUID SYSTEMS**



SPIROTHERM

THE ULTIMATE IN DISTRIBUTION EFFICIENCY

The Automatic Air Vent That's Top of the Line

When you first start up your hydronic heating or cooling system, you'll find that many air bubbles are large enough to rise to the top on their own. There is an automatic air vent that will quickly gather and release these bubbles. You won't have to manually bleed hard-to-reach areas, such as the tops of risers, tanks, unit heaters, and horizontal lines near the ceiling.

The result?

Residential, commercial and, yes, even industrial systems start up in much less time with no aggravation.

Known for its reliability, this unique automatic air vent can be found in millions of installations around the world.

The name:

SPIROTOP

Spirotop's low profile and high-compression valve combine to give you a leak-resistant, high point vent that fits just about anywhere. Moreover, Spirotop resists dirt particles and sudden pressure shocks, which can cause ordinary vents to leak.

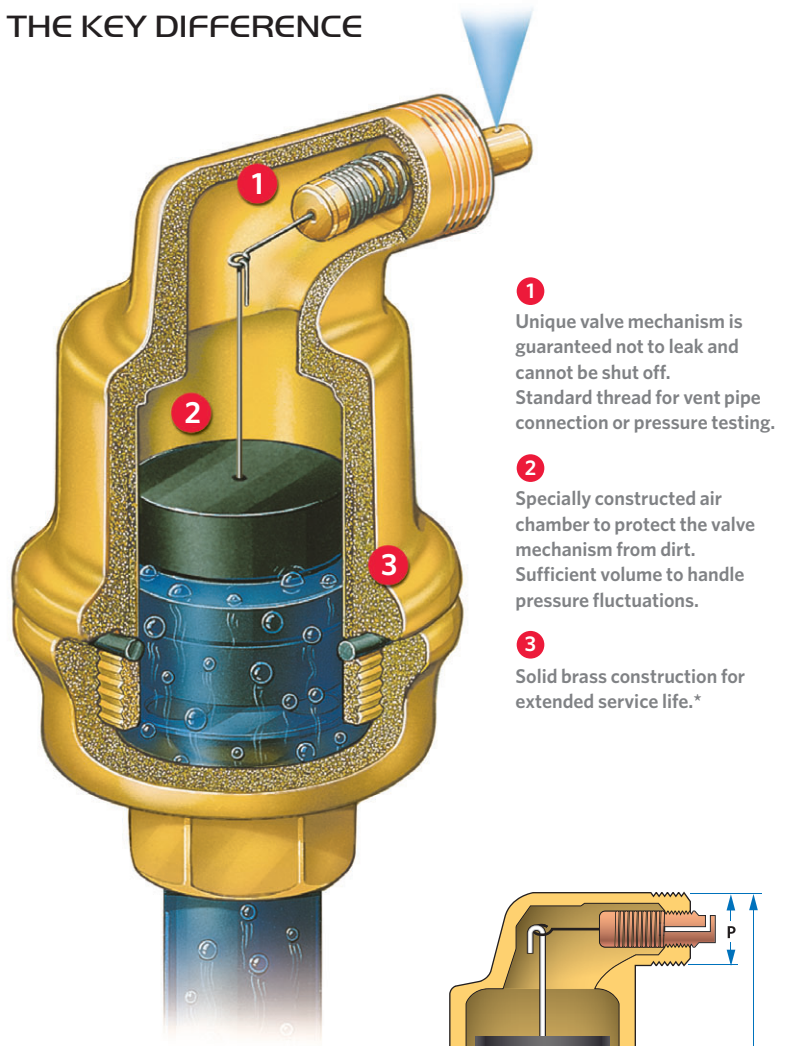
When filling or draining a system, venting high points, or eliminating air locks, the Spirotop automatic air vent is the only choice for those who want reliable, problem-free results every time. Try a Spirotop. We think you'll find it's much more than an air vent. It's a problem solver!



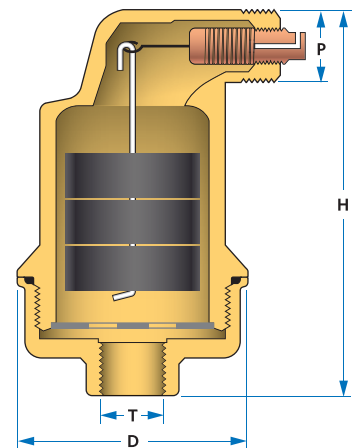
ADVANTAGES TO THE INSTALLER AND THE END-USER

- Maintenance free
- Continuous air venting
- 150 psig standard working pressure*
- 270° F maximum temperature*
- Sized to fit almost anywhere
- Dirt resistant
- Leak resistant
- 1/2" male tread at vent point for pressure testing or remote venting of unwanted gasses
- Quick removal of large air bubbles
- Reliable vacuum breaker for system draining

THE KEY DIFFERENCE



- 1** Unique valve mechanism is guaranteed not to leak and cannot be shut off. Standard thread for vent pipe connection or pressure testing.
- 2** Specially constructed air chamber to protect the valve mechanism from dirt. Sufficient volume to handle pressure fluctuations.
- 3** Solid brass construction for extended service life.*



H = 4 3/8" T = 1/2" female thread
D = 2 5/8" P = 1/2" male thread

*Other materials, pressures and temperatures are available on request.

An automatic air vent will only remove free air. For removal of dissolved air in system water, contact your local Spirotherm representative for information on the Spirovent deaerator.

SPIRO THERM
A SPIRO ENTERPRISES COMPANY

Spirotherm, Inc.
25 N. Brandon Drive
Glendale Heights, IL 60139

Tel.: 630-307-2662
Fax: 630-307-3773
www.spirotherm.com
E-mail: info@spirotherm.com