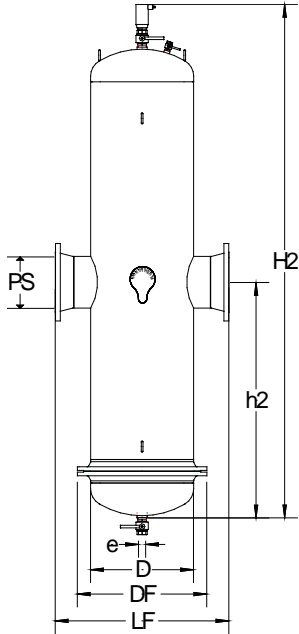


Spirovent® High Velocity Drain Microbubble™ Eliminator and Dirt Separator

Job Name:
Engineer:
Contractor:
Representative:

Tag	Model	Flow	Size	Location



Specifications:

Shell	Steel
Vent Head	Brass
Float	Non-Ferrous
Seal	Viton
O Ring	Viton
Skim Valve	Brass
Coalescing Medium	Copper
Ball Valve	Brass
Max. Working Pressure	150 psig
Max. Operating Temperature	270°F

Notes:
Removable lower head to facilitate cleaning as required.

PS - Pipe Size	14"	16"	18"	20"	24"	30"	36"
D (inches)	28	32	36	40	48	60	72
DF (inches)	35	40	44	48	57	79	81
H2 (inches)	140	158	176	194	230	284	338
h2 (inches)	64	73	82	91	109	136	163
LF (inches)	45	50	56	61.4	72	85.2	102.8
e (inches)	2	2	2	2	2	2	2
Weight (lbs)	2400	3280	4320	6380	9940	17070	27090
Max Flow (gpm)	4650	6050	7600	9400	13500	21000	30500
Model VHN----FA*	1400	1600	1800	2000	2400	3000	3600

(Dimensions for reference only)

*Flanged ASME Section VIII, Division 1 Stamped and Registered